
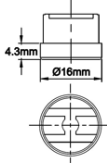
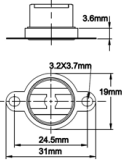
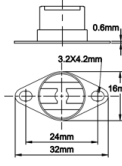
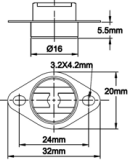


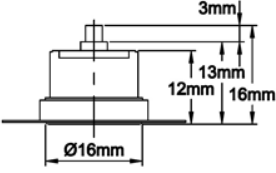
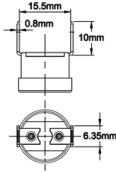
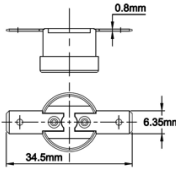
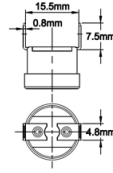
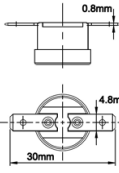
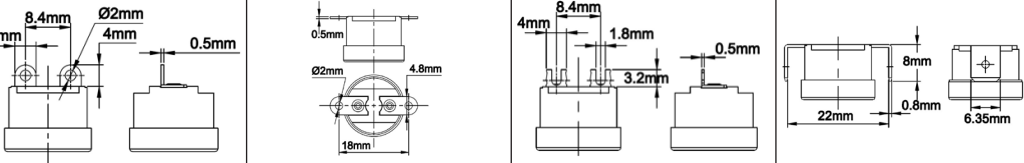
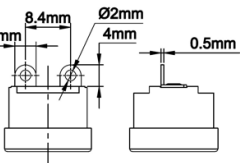
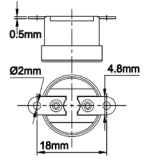
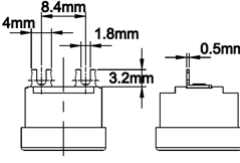
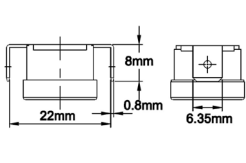
Single pole manual reset disc thermostat, 1/2", snap action. 16A 250V Type 4R05

DIMENSIONS

Main bracket types

				
	1 No bracket	2 Loose bracket	3 Flat fixed bracket	4 Extended cup bracket

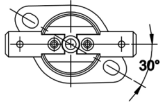
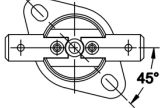
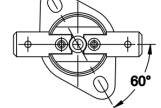
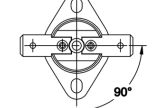
Main terminal types

				
	A 6.3 vertical	B 6.3 horizontal	C 4.8 vertical	D 4.8 horizontal
				
	E Vertical solder, radius output	F Horizontal solder	G Open vertical solder	H 6.3 vertical downside





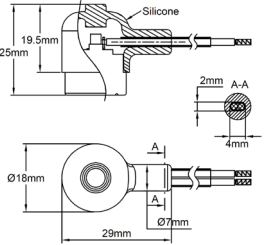
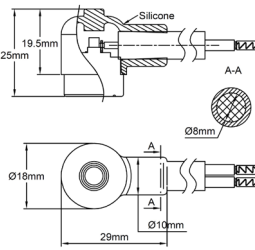
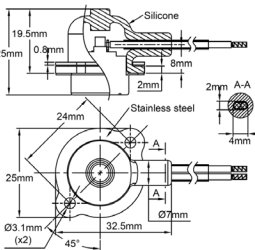
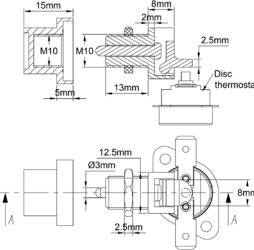
TECHNICAL FEATURES

Case: Phenolic resin (ceramic on request)
Sensing element: Bimetal disc
Calibration: Factory fixed setting, from 30°C to 150°C (86 à 302°F). Not adjustable.
 Standard calibration tolerances $\pm 4^\circ\text{C}$ to $\pm 6^\circ\text{C}$ (± 39.2 à $\pm 42.8^\circ\text{F}$) upon models
Terminals: 6.3 or 4.8 quick connect, or welding terminals
Differential: Manual reset
Mounting: with or without bracket
Main bracket models:
 • Loose bracket, two oval holes 3.2 x 3.5, for M3 screws, 24.5 mm distance
 • Flat fixed bracket, two oval holes 3.2 x 3.5, for M3 screws, 24.5 mm distance
 • Flat cup bracket, two oval holes 3.2 x 4.2, for M3 screws, 24 mm distance
 • M4 or M5 center stud on request
Cap materials: stainless steel (SS) or aluminum (AL)
Ratings:
UL: AC120V/15A, AC240V/10A
CSA: AC125V/15A, AC250V/8A
VDE: AC250V/16A

Angle between terminals and bracket

			
30°	45°	60°	90°

Accessories (See more at the end of this catalogue)

			
			
Boot without bracket (Can be used with terminals type E and G), for flat cable or 2 conductors Reference 9BBJO100004015A	Boot without bracket (Can be used with terminals type E and G), for round cable dia. 6 to 8 mm Reference 9BBJO100004017A	Boot with stainless steel bracket (can be used with terminals type E and G, thermostat bracket type 4 with 45° angle), for flat cable or 2 conductors Reference 9BBJO100004019A (Silicone boot)+ 9BBAE100000017A (Bracket)	Allows to mount a manual reset disc thermostat with side actuated button. Needs a 10 mm drill on the side mounting wall. Reference 6Y4903RESET90

MAIN REFERENCES (usually available from stock*)

References	Open (°C/°F)	Tolerance (°C/°F)	Bracket style	Bracket material	Terminal style	Terminal to bracket hole angle
4R05EJ050RMDCSV047	50°C/122°F	$\pm 4^\circ\text{C}/\pm 39.2^\circ\text{F}$	1	SS	G	N/A
4R05EJ055RMCCSVF44	55°C/131°F	$\pm 3^\circ\text{C}/\pm 37.4^\circ\text{F}$	4	SS	G	45°
4R05EJ055RMCCSVF41	55°C/131°F	$\pm 3^\circ\text{C}/\pm 37.4^\circ\text{F}$	4	SS	G	135°
4R05EJ065RMDCSVF44	65°C/149°F	$\pm 4^\circ\text{C}/\pm 39.2^\circ\text{F}$	4	SS	G	45°
4R05EJ070RMDCSV47	70°C/158°F	$\pm 4^\circ\text{C}/\pm 39.2^\circ\text{F}$	2	SS	G	N/A
4R05EJ075RMDCSV47	75°C/167°F	$\pm 4^\circ\text{C}/\pm 39.2^\circ\text{F}$	2	SS	G	N/A
4R05EJ075RMDCSVF44	75°C/167°F	$\pm 4^\circ\text{C}/\pm 39.2^\circ\text{F}$	4	SS	G	45°
4R05EJ085RMDCSVF44	85°C/185°F	$\pm 4^\circ\text{C}/\pm 39.2^\circ\text{F}$	4	SS	G	45°
4R05EJ090RMDL6VM37	90°C/194°F	$\pm 4^\circ\text{C}/\pm 39.2^\circ\text{F}$	2	AL	A	N/A
4R05EJ090RMDCSVF44	90°C/194°F	$\pm 4^\circ\text{C}/\pm 39.2^\circ\text{F}$	4	SS	G	45°
4R05EJ120RMDCSVF44	120°C/248°F	$\pm 4^\circ\text{C}/\pm 39.2^\circ\text{F}$	4	SS	G	45°
4R05NJ150RMEL6HM37	150°C/302°F	$\pm 6^\circ\text{C}/\pm 42.8^\circ\text{F}$	2	AL	B	N/A

* products usually available from stock in one of the Ultimheat Alliance members

Unless exceptionally specified by this logo, products and components in this catalogue are members of the Ultimheat alliance members.

Because of permanent improvement of our products, drawings, descriptions, features used on these data sheets are for guidance only and can be modified without prior advice

